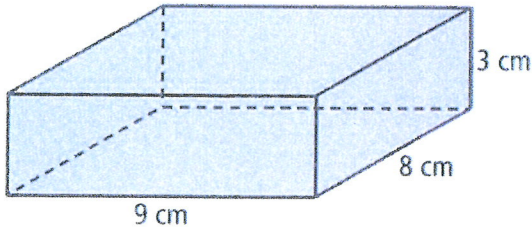


$$\frac{1}{2} \times 4 \times 3 = 6 \text{ cm}^2$$

Inhoud =

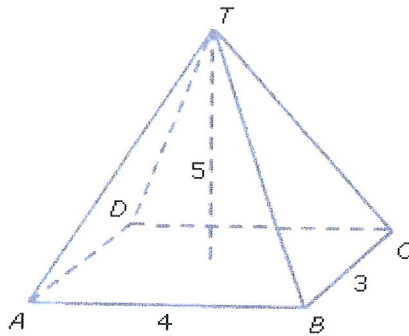
$$6 \times 4 = 24 \text{ cm}^3$$



Oppervlakte grondvlak =
 $8 \times 9 = 72 \text{ cm}^2$

Inhoud =

$$72 \times 3 = 216 \text{ cm}^3$$

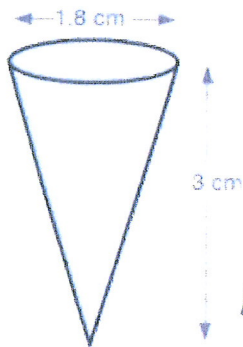


maten in dm

Oppervlakte grondvlak =
 $3 \times 4 = 12 \text{ dm}^2$

Inhoud =

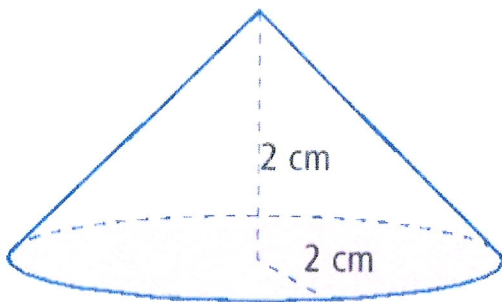
$$\frac{1}{3} \times 12 \times 5 = 20 \text{ dm}^3$$



Oppervlakte grondvlak =
 $1,8^2 \times \pi = 10,18 \dots \text{cm}^2$

Inhoud =

$$\frac{1}{3} \times 10,18 \dots \times 3 = 10,18 \text{ cm}^3$$

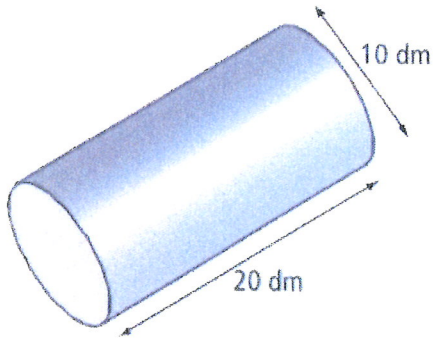


Oppervlakte grondvlak =
 $2^2 \times \pi = 12,56 \dots \text{cm}^2$

Inhoud =

$$\frac{1}{3} \times 12,56 \dots \times 2 = 8,38 \text{ cm}^3$$

Oppervlakte grondvlak =



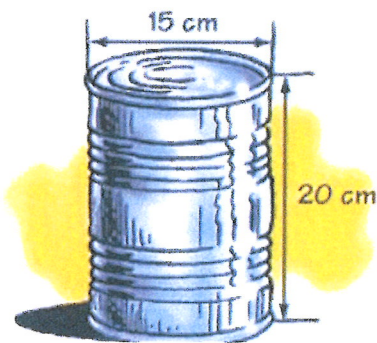
$$5^2 \times \pi = 78,53... \text{ dm}^2$$

Inhoud =
 $78,53.. \times 20 = 1571 \text{ dm}^3$



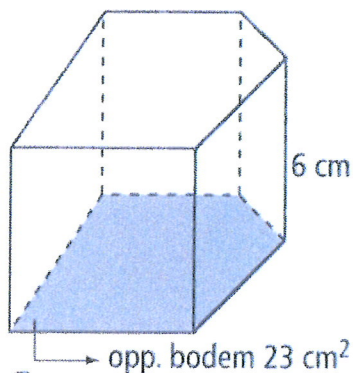
Oppervlakte grondvlak =
 $32 \times 48 = 1536 \text{ cm}^2$

Inhoud =
 $1536 \times 35 = 53760 \text{ cm}^3$



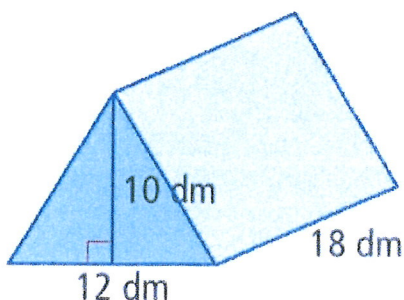
Oppervlakte grondvlak =
 $7,5^2 \times \pi = 176,71... \text{ cm}^2$

Inhoud =
 $176,71... \times 20 = 3534 \text{ cm}^3$



Oppervlakte grondvlak =
 23 cm^2

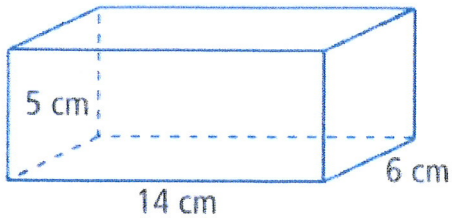
Inhoud =
 $23 \times 6 = 138 \text{ cm}^3$



Oppervlakte grondvlak =
 $\frac{1}{2} \times 12 \times 10 = 60 \text{ dm}^2$

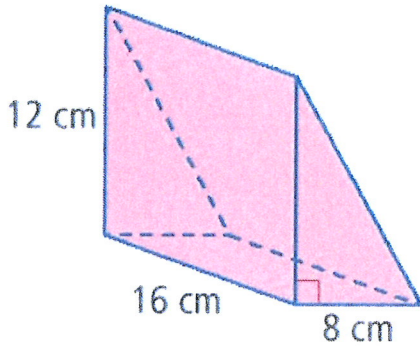
Inhoud =
 $60 \times 18 = 1080 \text{ dm}^3$

Oppervlakte grondvlak =



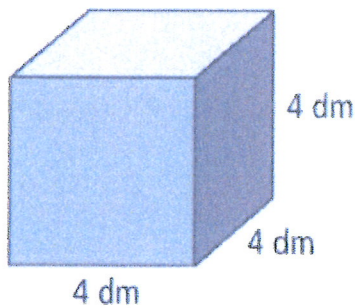
$$14 \times 6 = 84 \text{ cm}^2$$

Inhoud =
 $84 \times 5 = 420 \text{ cm}^3$



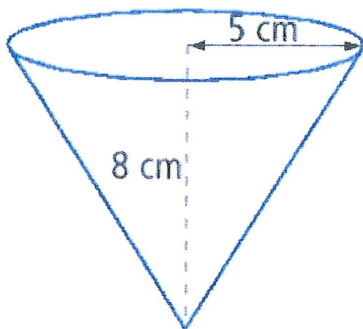
Oppervlakte grondvlak =
 $\frac{1}{2} \times 8 \times 12 = 48 \text{ cm}^2$

Inhoud =
 $48 \times 16 = 768 \text{ cm}^3$



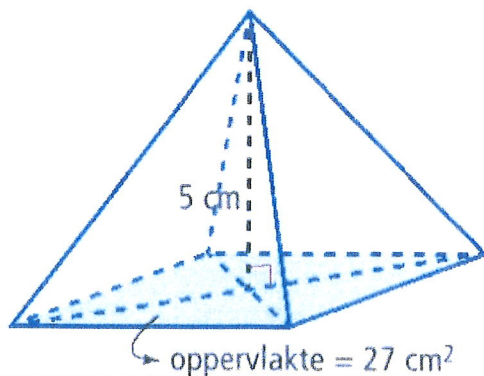
Oppervlakte grondvlak =
 $4 \times 4 = 16 \text{ dm}^2$

Inhoud =
 $16 \times 4 = 64 \text{ dm}^3$



Oppervlakte grondvlak =
 $5^2 \times \pi = 78,53... \text{ cm}^2$

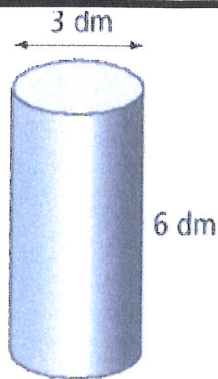
Inhoud =
 $\frac{1}{3} \times 78,53... \times 8 = 209,44 \text{ cm}^3$



Oppervlakte grondvlak =
 27 cm^2

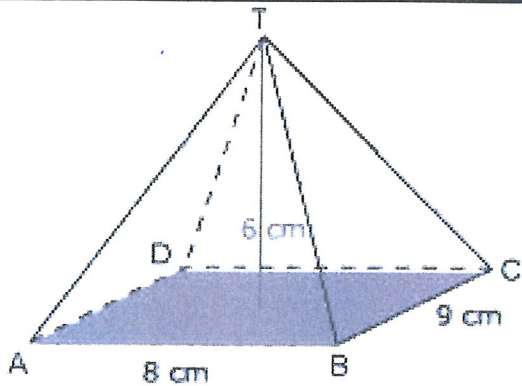
Inhoud =
 $\frac{1}{3} \times 27 \times 5 = 45 \text{ cm}^3$

Oppervlakte grondvlak =



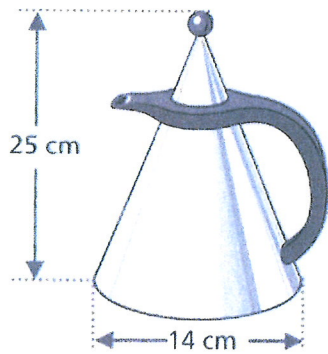
Oppervlakte grondvlak =
 $1,5^2 \times \pi = 7,06... \text{ dm}^2$

Inhoud =
 $7,06... \times 6 = 42 \text{ dm}^3$



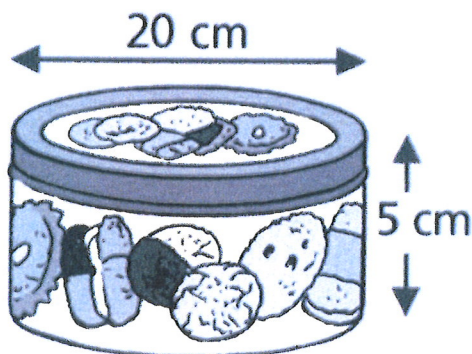
Oppervlakte grondvlak =
 $8 \times 9 = 72 \text{ cm}^2$

Inhoud =
 $\frac{1}{3} \times 72 \times 6 = 144 \text{ cm}^3$



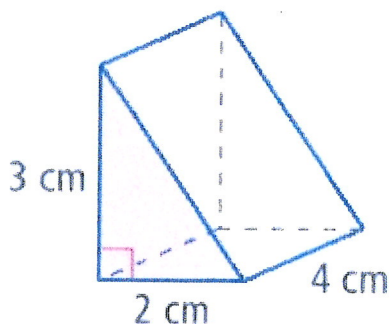
Oppervlakte grondvlak =
 $7^2 \times \pi = 153,93... \text{ cm}^2$

Inhoud =
 $\frac{1}{3} \times 153,93... \times 25 = 1282,82 \text{ cm}^3$



Oppervlakte grondvlak =
 $10^2 \times \pi = 314,15... \text{ cm}^2$

Inhoud =
 $314,15... \times 5 = 1571 \text{ cm}^3$



Oppervlakte grondvlak =
 $\frac{1}{2} \times 2 \times 3 = 3 \text{ cm}^2$

Inhoud =
 $3 \times 4 = 12 \text{ cm}^3$